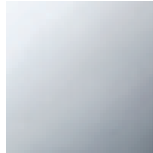




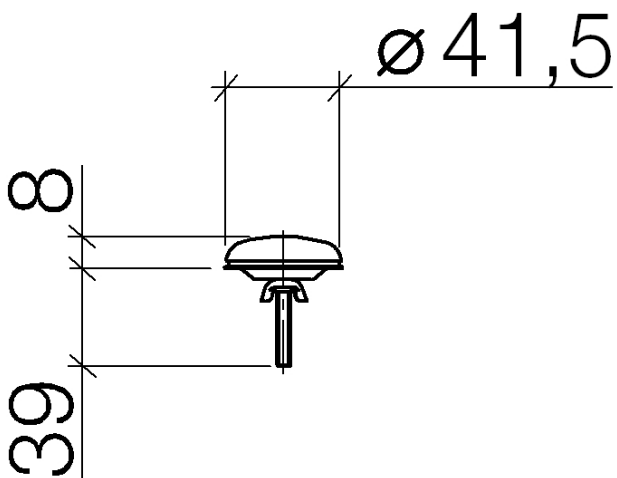
Kitchen - Series-variou  
Cover for tap hole - polished chrome  
Article number: 12 715 970-00



polished chrome

Discontinued items available to order until 31.12.9999

### Dimensional drawing



All dimensions in mm / inch = mm x 0,0394



Kitchen - Series–various

Cover for tap hole - polished chrome

Article number: 12 715 970-00



Kitchen - Series-**various**  
Cover for tap hole - polished chrome  
Article number: 12 715 970-00

### Other surface finishes



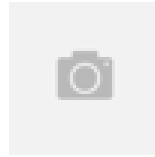
platinum matte  
12 715 970-06



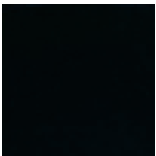
platinum  
12 715 970-08



Durabrass  
12 715 970-09



Brushed Durabrass  
12 715 970-28



black matte  
12 715 970-33



chrome matte  
12 715 970-93

More custom finish options are available via special production (xTra Service). Please see our finish matrix for availability and pricing or contact a Dornbracht representative.

### Spare parts list

| Number | Item Number | Designation | Number of units |
|--------|-------------|-------------|-----------------|
|--------|-------------|-------------|-----------------|

